

PVC COATED GALVANIZED STEEL FOR GUTTERS

Durable. Corrosion Resistant.

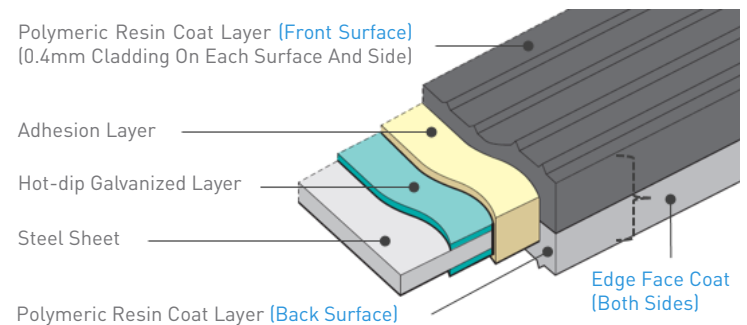
With proven durability over decades of installations in tough environments, PVC (Polyvinyl Chloride) Coated Galvanized Steel Coil for Gutters is designed for fabrication into box, valley and eaves gutters for Commercial, Industrial, and multi-family residential buildings. This high quality gutter material with a unique polymer resin layer, applied via extrusion molding, provides these key benefits:

- Superior Durability And Corrosion Resistance To Salt Spray, Acids And Various Chemical Agents
- Excellent Abrasion Resistance
- Prevents Surface Cracking During Fabrication And Forming
- Can be Fabricated even in Below Freezing temperatures
- Both Top and Bottom Sides can be used as the top or exposed surface

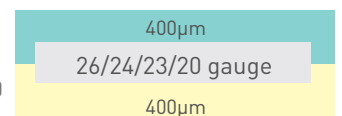
MAXIMIZE INVESTMENT

One of the best ways to maximize investment in building materials is to choose materials that will last, materials that can push out the next renovation or replacement,

PVC COATED GALVANIZED STEEL - GUTTER LAYERS AND THICKNESSES



The Profile image at right shows the thickness of the surrounding Polymeric Resin Layer. The galvanized steel core options are: 26, 24, 23, or 20 gauge (0.4, 0.5, 0.6, 0.8 mm)



BUILDING TYPES INCLUDE – Commercial And Industrial, Marine And Coastal, Factories, Warehouses, Gymnasiums, Indoor Pools and Multi-Family.

STEEL GUTTER COIL

MAXIMIZE INVESTMENT cont.

and maximize the initial investment. The PVC Coated Galvanized Steel Coil for gutters provides extended gutter system life by combining the strength of steel coupled with the increased endurance and product life provided by the polymer resin coat.

FABRICATION

Using standard industry equipment, this gutter material is easily formable into a wide variety of shapes and products including box and valley gutters. The elasticity of the polymer coat prevents cracking during fabrication. The flexibility of the coil material allows it to be fabricated even in below freezing temperatures. This workable PVC Coated Galvanized Steel coil can be folded and roll formed in the same process as that for galvanized steel sheet.

SPECIFICATIONS

Tested in accordance with these standards: ASTM G155, ASTM B117, ASTM D3359, ASTM D638, ASTM D6110.

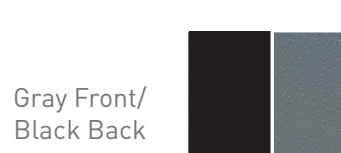
Category	General Specification	Metric	Standard
Accelerated Tests	Accelerated Weathering, 4,500 hours, Cycle 1	No cracking, checking, crazing or blistering.	ASTM G155
	5% Salt Spray Corrosion Resistance, 1,000 hours continuous fog at 35oC +/- 3oC	No film removal, rust or blistering. No more than 1/64" creep from scribe.	ASTM B117
Physical Properties	Dry Coating Adhesion	No film removal or blistering.	ASTM D3359
	Tensile Strength - 0.6mm steel core material (23 gauge)	54,000 (psi)	ASTM D638

Manufacturing Certifications: This material is manufactured in facilities that have received and maintain the following certifications: ISO 9001 Quality Management Systems; ISO 14001 Environmental Management Systems.

SIZES

Gutter coil widths range from 11.8 inches to 47.2 inches, or 300mm to 1200 mm. Standard Gutter coil lengths are 300, 600, 900, and 1,200 feet.

STANDARD COLORS



CHEMICAL RESISTANCE

The acid-resistant, high-polymer coated layer on all sides of the galvanized steel sheet provides excellent corrosion protection over a long installed life. The extrusion molding process prevents pinholes from forming in the top coat, which contributes to the superior corrosion resistance of the coil material. The thickness of the PVC layer also helps protect the steel against abrasion and wearing. Working together these features deliver a reliable and long life gutter, even in harsh marine or chemical environments.

Panasonic PVC Coated Galvanized Steel provides superior resistance to the following chemicals:

- Acid (Hydrochloric, Sulfuric, Nitric, etc.)
- Hydroxides (Sodium, Calcium)
- Petroleum Solvents
- Ammonia